

TEMPORARY BLADDER DAM TO EXCLUDE WATER FROM CONSTRUCTION AREAS AND TO BE REMOVED IMMEDIATELY WHEN WATER EXCLUSION IS COMPLETE. PLACE ON ONE SIDE OF RIVER AT A TIME.

TEMPORARY BRIDGE AND WATER DIVERSION PLAN

1" = 20'

NO.	DESCRIPTION	BY	DATE



NEVADA COUNTY
DEPARTMENT OF PUBLIC WORKS
DESIGN/CONSTRUCTION DIVISION

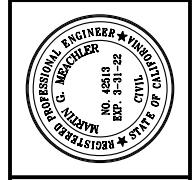


TRUCKEE RIVER
BRIDGE


DRAWING:	
DESIGNED:	
DRAWN:	
CHECKED:	
JOB NO:	2247
DATE:	MARCH, 2020

SHEET
1
OF 5 SHEETS

REVISIONS	
NO.	DESCRIPTION



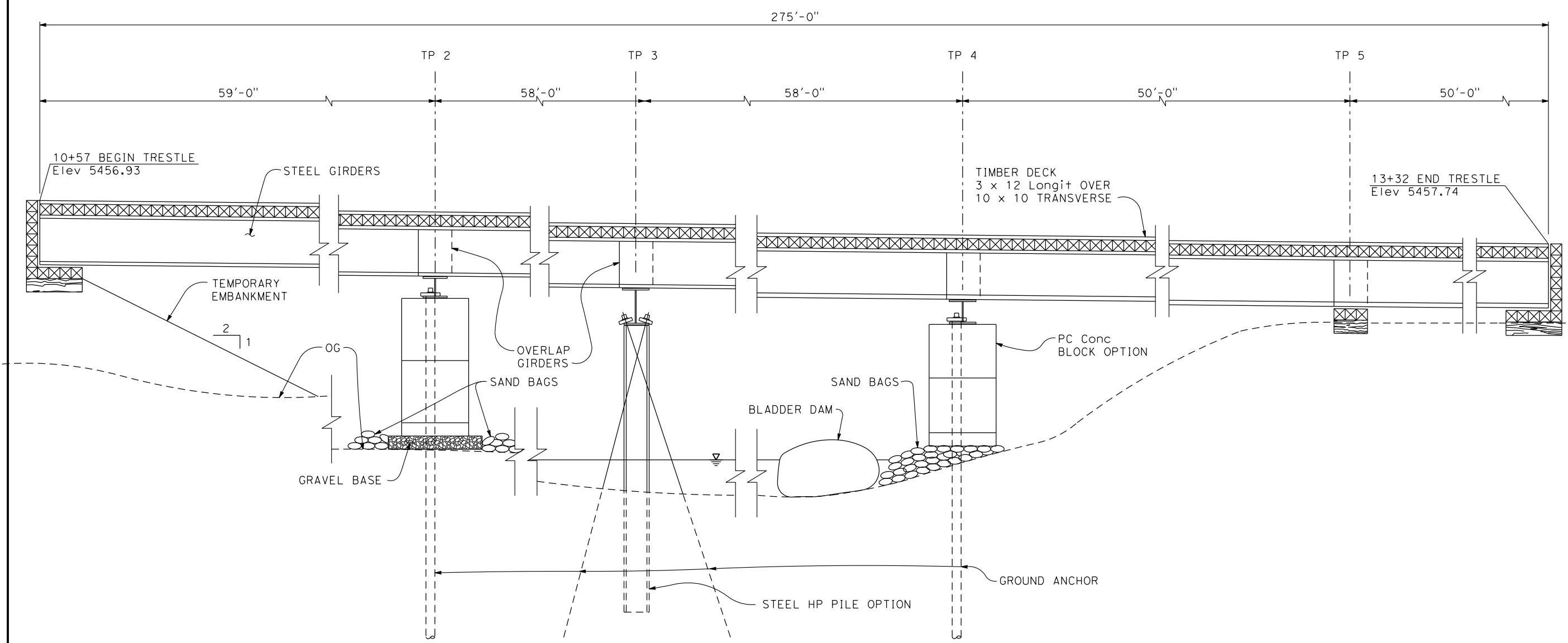
NEVADA COUNTY
 DEPARTMENT OF PUBLIC WORKS
 DESIGN/CONSTRUCTION DIVISION



TRUCKEE RIVER
 BRIDGE
 TEMPORARY TRESTLE

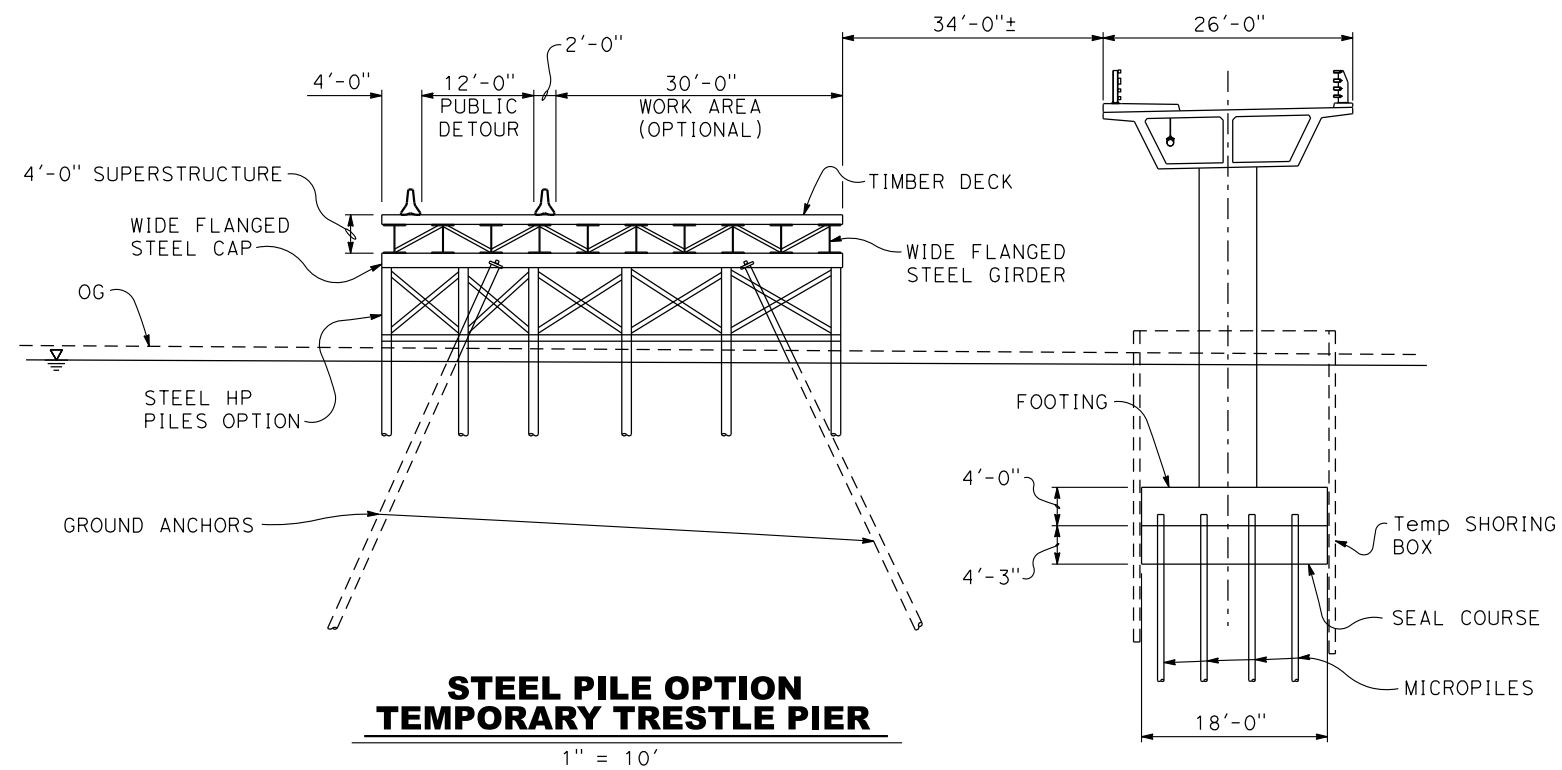
DRAWING:
 DESIGNED:
 DRAWN:
 CHECKED:
 JOB NO: 2247
 DATE: MARCH, 2020

SHEET
2
 OF 5 SHEETS



PART LONGITUDINAL SECTION

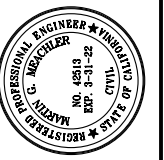
1/4" = 1'-0"



NOTE:

1. When removing trestle, remove HP piles and ground anchors to 5' minimum below ground.

NO.	DESCRIPTION	BY	DATE



NEVADA COUNTY
DEPARTMENT OF PUBLIC WORKS
DESIGN/CONSTRUCTION DIVISION



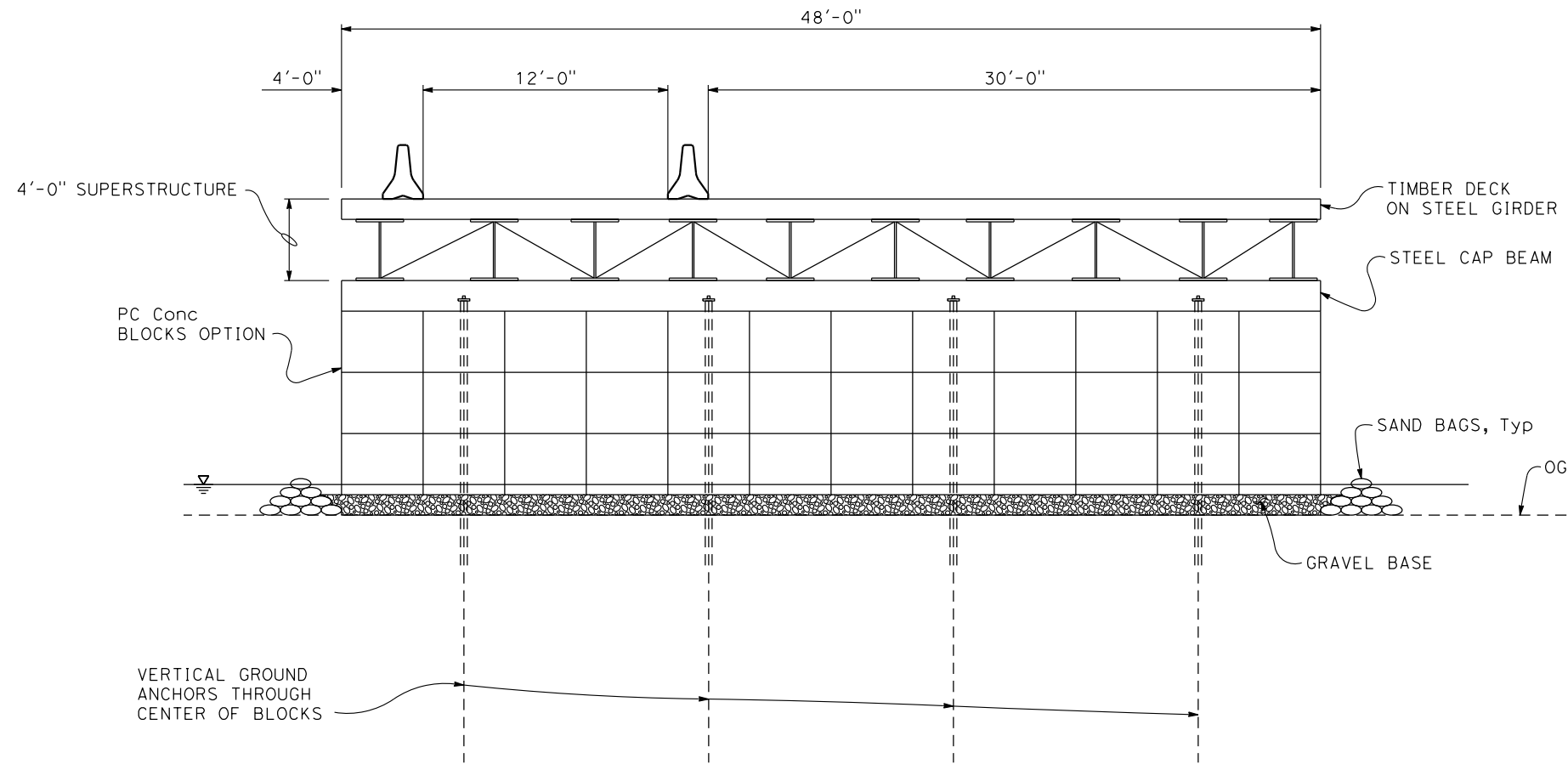
TRUCKEE RIVER
BRIDGE
TEMPORARY TRESTLE ON
STEEL PILES

DRAWING:
DESIGNED:
DRAWN:
CHECKED:
JOB NO: 2247
DATE: MARCH, 2020

SHEET

3

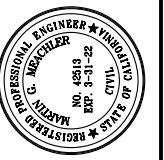
OF 5 SHEETS



**PC CONCRETE BLOCK OPTION
OPTIONAL TEMPORARY TRESTLE PIERS**

1/4" = 1'-0"

NO.	DESCRIPTION	BY	DATE



NEVADA COUNTY
DEPARTMENT OF PUBLIC WORKS
DESIGN/CONSTRUCTION DIVISION



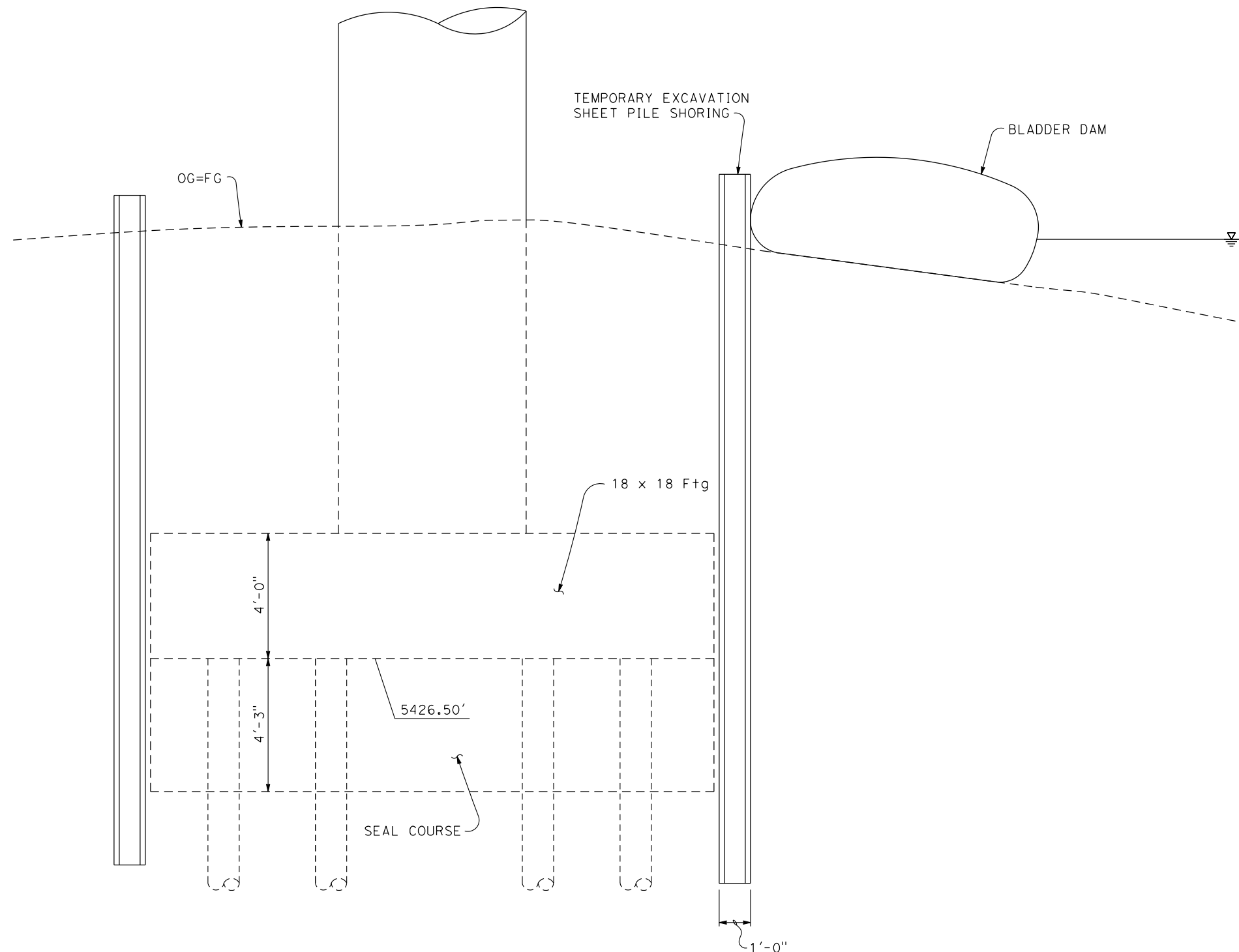
TRUCKEE RIVER
BRIDGE
TEMPORARY TRESTLE ON
CONCRETE BLOCKS

DRAWING:
DESIGNED:
DRAWN:
CHECKED:
JOB NO: 2247
DATE: MARCH, 2020

SHEET

4

OF 5 SHEETS

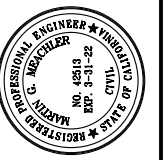


PIER 2 EXCAVATION SHORING

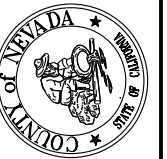
1/2" = 1'-0"

REVISIONS

NO.	DESCRIPTION	BY	DATE



NEVADA COUNTY
DEPARTMENT OF PUBLIC WORKS
DESIGN/CONSTRUCTION DIVISION



TRUCKEE RIVER
BRIDGE
TEMPORARY RIVER
DIVERSION

DRAWING:

DESIGNED:

DRAWN:

CHECKED:

JOB NO: 2247

DATE: MARCH, 2020

SHEET

5

OF 5 SHEETS